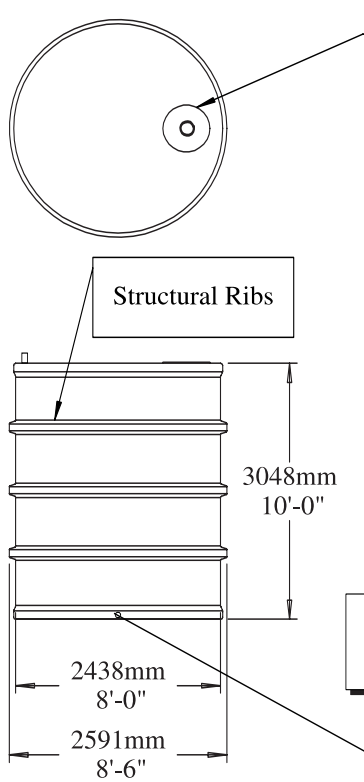


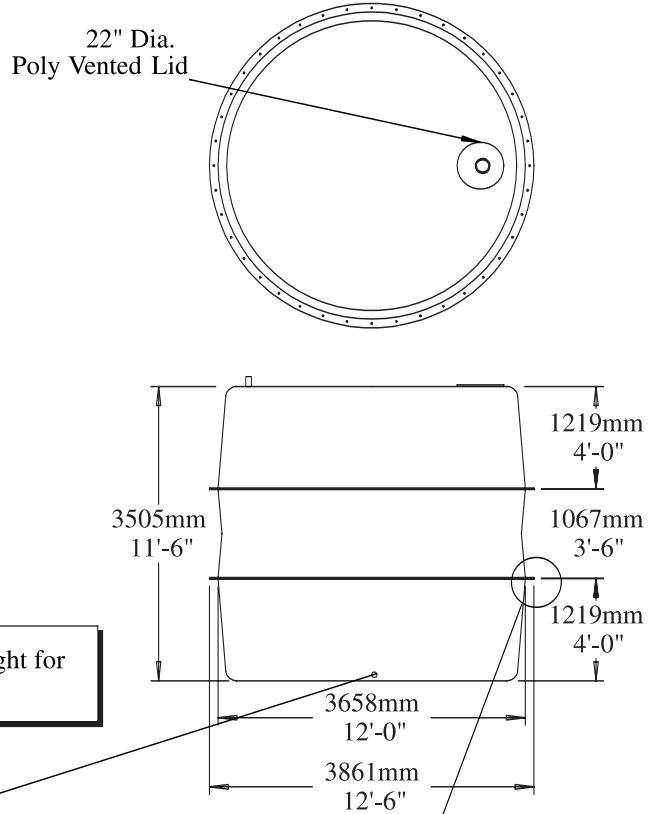
WATER STORAGE TANKS

ABOVE GROUND - LARGE VOLUME - V Series

**V-3600 Shown
(One Piece Tank)**



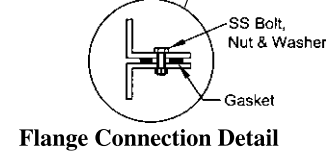
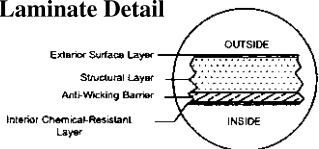
**V-9240 Shown
(Sectional Tank)**



Fibreglass tanks are relatively light for their size and are easy to move.

2" NPT Female Bulkhead

Laminate Detail



Extra fittings available on request for additional cost

V-Series Tanks	Model	Capacity				Dimensions		Weight
		U.S.Gal.	Imp. Gal.	Litres	BBL	D (Feet)	H (Feet)	(Lbs.)
	V-1800	1,800	1,500	6,820	43	8'6"	5	1,050
	V-2400	2,400	2,000	9,092	57	8'6"	6'6"	1,235
	V-3600	3,600	3,000	13,640	86	8'6"	10	1,500
	V-4200	4,200	3,500	15,911	100	8'6"	11'6"	1,700
	V-6000	6,000	5,000	22,730	143	8'6"	16	2,250
	V-3240	3,240	2,700	12,274	77	12'6"	4	740
	V-6480	6,480	5,400	24,548	154	12'6"	8	1,480
	V-9240	9,240	7,700	35,004	220	12'6"	11'6"	2,080
	V-12000	12,000	10,000	45,460	286	12'6"	15	2,680

All measurements and weights are approximate.
Tanks come unassembled with bolts and gaskets as required